

Component-Level Information Packet
for 08593-60016
Third Converter Option E02 for HP 8593A

Copyright © 1991 Hewlett-Packard Company

All Rights Reserved.
Reproduction, adaptation, or translation
without prior written permission
is prohibited, except as allowed
under the copyright laws.

HP Document Part Number 08593-90016

Printed August 1990
Printed in USA

The information contained in this document is subject to change
without notice.



HP Part Number 08593-60016
Third Converter Option E02

Reference Designation	HP Part Number	C	D	Qty	Description	Mfr Code	Mfr Part Number
C1	0160-4799	2		1	CAP-FXD 2.2pF 100 V	02010	MA101A2R2CAAH
C2	0160-4832	4		1	CAP-FXD 0.01uF 100 V	02010	SA101C103KAAH
C3	0160-4832	4		1	CAP-FXD 0.01uF 100 V	02010	SA101C103KAAH
C4	0160-4382	9		1	CAP-FXD 3.3pF 200 V	06352	FD12C0G2D3R3C
C5	0160-4790	3		1	CAP-FXD 12pF 100 V	02010	SA102A120JAAH
C6	0160-4794	7		1	CAP-FXD 5.6pF 100 V	02010	SA102A5R6DAAH
C7	0160-4795	8		1	CAP-FXD 4.7pF 100 V	02010	SA102A4R7DAAH
C8	0160-3879	7		1	CAP-FXD 0.01uF 100 V	02010	SR201C103MAAH
C9	0160-3879	7		1	CAP-FXD 0.01uF 100 V	02010	SR201C103MAAH
C10	0160-3879	7		1	CAP-FXD 0.01uF 100 V	02010	SR201C103MAAH
C11	0160-4795	8		1	CAP-FXD 4.7pF 100 V	02010	SA102A4R7DAAH
C12	0160-4790	3		1	CAP-FXD 12pF 100 V	02010	SA102A120JAAH
C13	0160-4793	6		1	CAP-FXD 6.8pF 100 V	02010	SA102A6R8DAAH
C14	0160-4832	4		1	CAP-FXD 0.01uF 100 V	02010	SA101C103KAAH
C15	0160-4832	4		1	CAP-FXD 0.01uF 100 V	02010	SA101C103KAAH
C16	0160-3879	7		1	CAP-FXD 0.01uF 100 V	02010	SR201C103MAAH
C17	0160-3879	7		1	CAP-FXD 0.01uF 100 V	02010	SR201C103MAAH
C18	0160-4801	7		1	CAP-FXD 100pF 100 V	02010	SA102A101JAAH
C19	0180-4130	7		1	CAP-FXD 2.2uF 20 V TA	04200	173D225X9020V
C20	0160-3879	7		1	CAP-FXD 0.01uF 100 V	02010	SR201C103MAAH
C21	0160-4832	4		1	CAP-FXD 0.01uF 100 V	02010	SA101C103KAAH
C22	0160-4805	1		1	CAP-FXD 47pF 100 V	02010	SA102A470JAAH
C23	0160-4805	1		1	CAP-FXD 47pF 100 V	02010	SA102A470JAAH
C24	0160-4805	1		1	CAP-FXD 47pF 100 V	02010	SA102A470JAAH
C25	0160-3879	7		1	CAP-FXD 0.01uF 100 V	02010	SR201C103MAAH
C26	0160-4799	2		1	CAP-FXD 2.2pF 100 V	02010	MA101A2R2CAAH
C27	0180-4132	9		1	CAP-FXD 6.8uF 35 V TA	04200	173D685X9035X
C28	0160-4822	2		1	CAP-FXD 1000pF 100 V	02010	SA201A102JAAH
C29	0180-4130	7		1	CAP-FXD 2.2uF 20 V TA	04200	173D225X9020V
C30	0160-4832	4		1	CAP-FXD 0.01uF 100 V	02010	SA101C103KAAH
C31	0160-4832	4		1	CAP-FXD 0.01uF 100 V	02010	SA101C103KAAH
C32	0160-4389	6		1	CAP-FXD 100pF 200 V	02010	SR202A101JAAH
C34	0180-4134	1		1	CAP-FXD 22uF 15 V TA	04200	173D226X9015X
C36	0160-3879	7		1	CAP-FXD 0.01uF 100 V	02010	SR201C103MAAH
C37	0160-4554	7		1	CAP-FXD 0.01uF 50 V	02010	SA105C103MAAH
C38	0160-4523	0		1	CAP-FXD 16pF 200 V	06352	FD12C0G2D160J
C39	0160-4574	1		1	CAP-FXD 1000pF 100 V	02010	SA101C102KAAH
C41	0160-4798	1		1	CAP-FXD 2.7pF 100 V	02010	MA101A2R7CAA
C43	0160-4795	8		1	CAP-FXD 4.7pF 100 V	02010	SA102A4R7DAAH
C44	0121-0444	4		1	CAP-VAR 9pF 3pF 160 V	01468	302-450-204
C45	0160-4795	8		1	CAP-FXD 4.7pF 100 V	02010	SA102A4R7DAAH
C46	0121-0444	4		1	CAP-VAR 9pF 3pF 160 V	01468	302-450-204
C47	0121-0444	4		1	CAP-VAR 9pF 3pF 160 V	01468	302-450-204
C48	0160-4796	9		1	CAP-FXD 3.9pF 100 V	02010	SA101A3R9CAAH
C49	0160-3872	0		1	CAP-FXD 2.2pF 200 V	06352	FD12C0G2D2R2C
C50	0160-4809	5		1	CAP-FXD 390pF 100 V	02010	SA101A391JAAH
C51	0160-5348	9		1	CAP-FXD 51pF 100 V	02010	SA102A510JAAH
C52	0160-3873	1		1	CAP-FXD 4.7pF 200 V	06352	FD12C0G2D4R7D

*Indicates factory-selected value

HP Part Number 08593-60016
Third Converter Option E02

Reference Designation	HP Part Number	C D	Qty	Description	Mfr Code	Mfr Part Number
C53	0160-5413	9	1	CAP-FXD 160pF 100 V	02010	SA101A161JAAH
C54	0160-4832	4	1	CAP-FXD 0.01uF 100 V	02010	SA101C103KAAH
C55	0160-5422	0	1	CAP-FXD 0.047uF 50 V	02010	SA205C473MAAH
C56	0160-4832	4	1	CAP-FXD 0.01uF 100 V	02010	SA101C103KAAH
C57	0160-4831	3	1	CAP-FXD 4700pF 100 V	02010	SA101C472KAAH
C58	0160-4832	4	1	CAP-FXD 0.01uF 100 V	02010	SA101C103KAAH
C59	0160-4832	4	1	CAP-FXD 0.01uF 100 V	02010	SA101C103KAAH
C61	0160-3879	7	1	CAP-FXD 0.01uF 100 V	02010	SR201C103MAAH
C62	0160-4832	4	1	CAP-FXD 0.01uF 100 V	02010	SA101C103KAAH
C63	0160-4832	4	1	CAP-FXD 0.01uF 100 V	02010	SA101C103KAAH
C64	0160-4832	4	1	CAP-FXD 0.01uF 100 V	02010	SA101C103KAAH
C65	0160-4535	4	1	CAP-FXD 1uF 50 V	02010	SR305C105KAAH
C66	0160-3873	1	1	CAP-FXD 4.7pF 200 V	06352	FD12C0G2D4R7D
C67	0160-3873	1	1	CAP-FXD 4.7pF 200 V	06352	FD12C0G2D4R7D
C68	0160-4383	0	1	CAP-FXD 6.8pF 200 V	06352	FD12C0G2D6R8D
C69	0160-4490	0	1	CAP-FXD 1.8pF 200 V	06352	FD12C0G2D1R8C
C70	0160-4801	7	1	CAP-FXD 100pF 100 V	02010	SA102A101JAAH
C71	0160-4834	6	1	CAP-FXD 0.047uF 100 V	02010	SA301C473KAAH
C72	0160-3879	7	1	CAP-FXD 0.01uF 100 V	02010	SR201C103MAAH
C73	0160-4380	7	1	CAP-FXD 1pF 200 V	06352	FD11C0K2D1ROC
C74	0160-3879	7	1	CAP-FXD 0.01uF 100 V	02010	SR201C103MAAH
C75	0160-4382	9	1	CAP-FXD 3.3pF 200 V	06352	FD12C0G2D3R3C
C76	0160-3879	7	1	CAP-FXD 0.01uF 100 V	02010	SR201C103MAAH
C77	0160-4832	4	1	CAP-FXD 0.01uF 100 V	02010	SA101C103KAAH
C78	0160-4790	3	1	CAP-FXD 12pF 100 V	02010	SA102A120JAAH
C79	0160-3879	7	1	CAP-FXD 0.01uF 100 V	02010	SR201C103MAAH
C80	0160-4383	0	1	CAP-FXD 6.8pF 200 V	06352	FD12C0G2D6R8D
CR1	0122-0161	4	1	DIODE-VVC 2.15PF 7% BVR=30V	03334	BB405B
CR2	1901-1070	9	1	DIODE-PIN 110V	02062	
J1	1252-2816	6	1	CONN-POST TYPE .100 PIN SPCG 20 CONT	01380	5-87729-6
J2	1250-1955	8	1	CONNECTOR-RF SMB M PC 50-OHM	02788	5164-5008-09
J3	1250-1955	8	1	CONNECTOR-RF SMB M PC 50-OHM	02788	5164-5008-09
J4	1250-1955	8	1	CONNECTOR-RF SMB M PC 50-OHM	02788	5164-5008-09
J5	1250-1955	8	1	CONNECTOR-RF SMB M PC 50-OHM	02788	5164-5008-09
J6	1252-2816	6	1	CONN-POST TYPE .100 PIN SPCG 20 CONT	01380	5-87729-6
J7	1250-0691	7	1	CONNECTOR-RF SMB M SGL-HOLE-FR 50-OHM	05769	051-045-4610-220
L1	9100-2251	0	1	INDUCTOR RF-CH-MLD 220NH +-10% .105D-INX	03273	10M220K
L3	9135-0075	5	1	INDUCTOR RF-CH-MLD 43NH +-6.047%	02172	
L4	9100-2256	5	1	INDUCTOR RF-CH-MLD 560NH +-10% .105D-INX	03273	10M560K
L5	9100-2247	4	1	INDUCTOR RF-CH-MLD 100NH +-10% .105D-INX	03273	10M100K
L6	9100-2255	4	1	INDUCTOR RF-CH-MLD 470NH +-10% .105D-INX	03273	10M470K
L7	9100-2255	4	1	INDUCTOR RF-CH-MLD 470NH +-10% .105D-INX	03273	10M470K
L9	9100-2891	4	1	INDUCTOR RF-CH-MLD 50NH +-10% .105D-INX.	03273	10M050K-1
L10	9140-0736	6	1	INDUCTOR-FIXED L:200 UH MIN @ 0.35 ADC,1	04200	
L11	9100-2256	5	1	INDUCTOR RF-CH-MLD 560NH +-10% .105D-INX	03273	10M560K
L12	9100-2250	9	1	INDUCTOR RF-CH-MLD 180NH +-10% .105D-INX	03273	10M180K
L13	9100-3552	6	1	INDUCTOR RF-CH-MLD 1.5UH +-5% .166D-INX.	03273	15M151J

HP Part Number 08593-60016
Third Converter Option E02

Reference Designation	HP Part Number	C D	Qty	Description	Mfr Code	Mfr Part Number
L14	9100-3562	8	1	INDUCTOR RF-CH-MLD 4.7UH +-5% .166D-INX.	03273	15M471J
L16	9100-3562	8	1	INDUCTOR RF-CH-MLD 4.7UH +-5% .166D-INX.	03273	15M471J
L18	9135-0068	6	1	INDUCTOR RF-CH-MLD 33NH +-6.36%	02172	
L20	9100-2250	9	1	INDUCTOR RF-CH-MLD 180NH +-10% .105D-INX	03273	10M180K
L22	9100-2251	0	1	INDUCTOR RF-CH-MLD 220NH +-10% .105D-INX	03273	10M220K
L24	9100-2255	4	1	INDUCTOR RF-CH-MLD 470NH +-10% .105D-INX	03273	10M470K
L25	9100-2247	4	1	INDUCTOR RF-CH-MLD 100NH +-10% .105D-INX	03273	10M100K
L26	9135-0077	7	1	INDUCTOR 36NH +-6.389% 2.6D-MMX6.6LG-MM	03273	10M036X-1
MP2	2190-0124	4	5	WASHER-LK INTL T NO. 10 .195-IN-ID	02788	500222
MP3	2950-0078	9	5	NUT-HEX-DBL-CHAM 10-32-THD .067-IN-THK	03316	HN100-11
MP4	2200-0101	0	2	SCREW-MACH 4-40 .188-IN-LG PAN-HD-POZI	01125	
MP5	5001-8774	0	1	COVER, THIRD CONVERTER	28480	5001-8774
MP6	86701-40001	9	1	PC BOARD EXTRACTOR	28480	86701-40001
MP7	1200-0173	5	1	INSULATOR-XSTR DAP-GL	02210	A-10001 DAP
MP8	3050-0945	2	4	WASHER-FL MTL C NO. 10 .2-IN-ID .33-IN-OD	05313	5714-165-063
MP9	5001-5539	9	1	GROUND STRAP	28480	5001-5539
MP10	5001-5539	9	1	GROUND STRAP	28480	5001-5539
Q1	1853-0451	5	1	TRANSISTOR PNP 2N3799 SI TO-18 PD=360MW	02037	
Q2	1854-0720	3	1	TRANSISTOR NPN SI PD=500MW FT=4GHZ	03334	
Q4	1854-0632	6	1	TRANSISTOR NPN SI PD=180MW FT=4GHZ	02037	
Q5	1853-0451	5	1	TRANSISTOR PNP 2N3799 SI TO-18 PD=360MW	02037	
Q6	1854-0720	3	1	TRANSISTOR NPN SI PD=500MW FT=4GHZ	03334	
Q7	1853-0007	7	1	TRANSISTOR PNP 2N3251 SI TO-18 PD=360MW	02037	2N3251
Q8	1854-1142	5	1	TRANSISTOR NPN SI TO-92 PD=625MW FT=6GHZ	02037	MPS571
Q9	1853-0451	5	1	TRANSISTOR PNP 2N3799 SI TO-18 PD=360MW	02037	
Q10	1854-0632	6	1	TRANSISTOR NPN SI PD=180MW FT=4GHZ	02037	
Q11	1854-0215	1	1	TRANSISTOR NPN SI TO-92 PD=625MW FT=300M	00746	2N3904
Q12	1853-0451	5	1	TRANSISTOR PNP 2N3799 SI TO-18 PD=360MW	02037	
Q13	1854-0946	5	1	TRANSISTOR NPN SI PD=290MW	00039	NE02135
R1	0698-7257	2	1	RESISTOR 7.5K +-1% .05W TF TC=0+-100	00746	CRB20
R2	0698-7253	8	1	RESISTOR 5.11K +-1% .05W TF TC=0+-100	00746	CRB20
R3	0698-7247	0	1	RESISTOR 2.87K +-1% .05W TF TC=0+-100	00746	CRB20
R4	0699-2069	6	1	RESISTOR 13.3 +-1% .05W TF TC=0+-100	05524	CMF-50-21
R5	0698-3445	2	1	RESISTOR 348 1% .125W TF TC=0+-100	00746	CRB14 OR CRB25
R6	0698-3445	2	1	RESISTOR 348 1% .125W TF TC=0+-100	00746	CRB14 OR CRB25
R7	0698-7219	6	1	RESISTOR 196 +-1% .05W TF TC=0+-100	00746	CRB20
R8	0698-7221	0	1	RESISTOR 237 +-1% .05W TF TC=0+-100	00746	CRB20
R9	0699-1903	5	1	RESISTOR 51.1 +-1% .05W TF TC=0+-100	05524	CMF-50-21
R10	0699-2079	8	1	RESISTOR 82.5 +-1% .05W TF TC=0+-100	05524	CMF-50-21
R11	0698-7219	6	1	RESISTOR 196 +-1% .05W TF TC=0+-100	00746	CRB20
R12	0698-7237	8	1	RESISTOR 1.1K +-1% .05W TF TC=0+-100	00746	CRB20
R13	0698-7188	8	1	RESISTOR 10 +-1% .05W TF TC=0+-100	00746	CRB20
R14	0698-7188	8	1	RESISTOR 10 +-1% .05W TF TC=0+-100	00746	CRB20
R15	0698-7209	4	1	RESISTOR 75 +-1% .05W TF TC=0+-100	00746	CRB20
R16	0698-7251	6	1	RESISTOR 4.22K +-1% .05W TF TC=0+-100	00746	CRB20
R17	0698-7239	0	1	RESISTOR 1.33K +-1% .05W TF TC=0+-100	00746	CRB20
R18	0698-7224	3	1	RESISTOR 316 +-1% .05W TF TC=0+-100	00746	CRB20

**Indicates factory-selected value*

HP Part Number 08593-60016
Third Converter Option E02

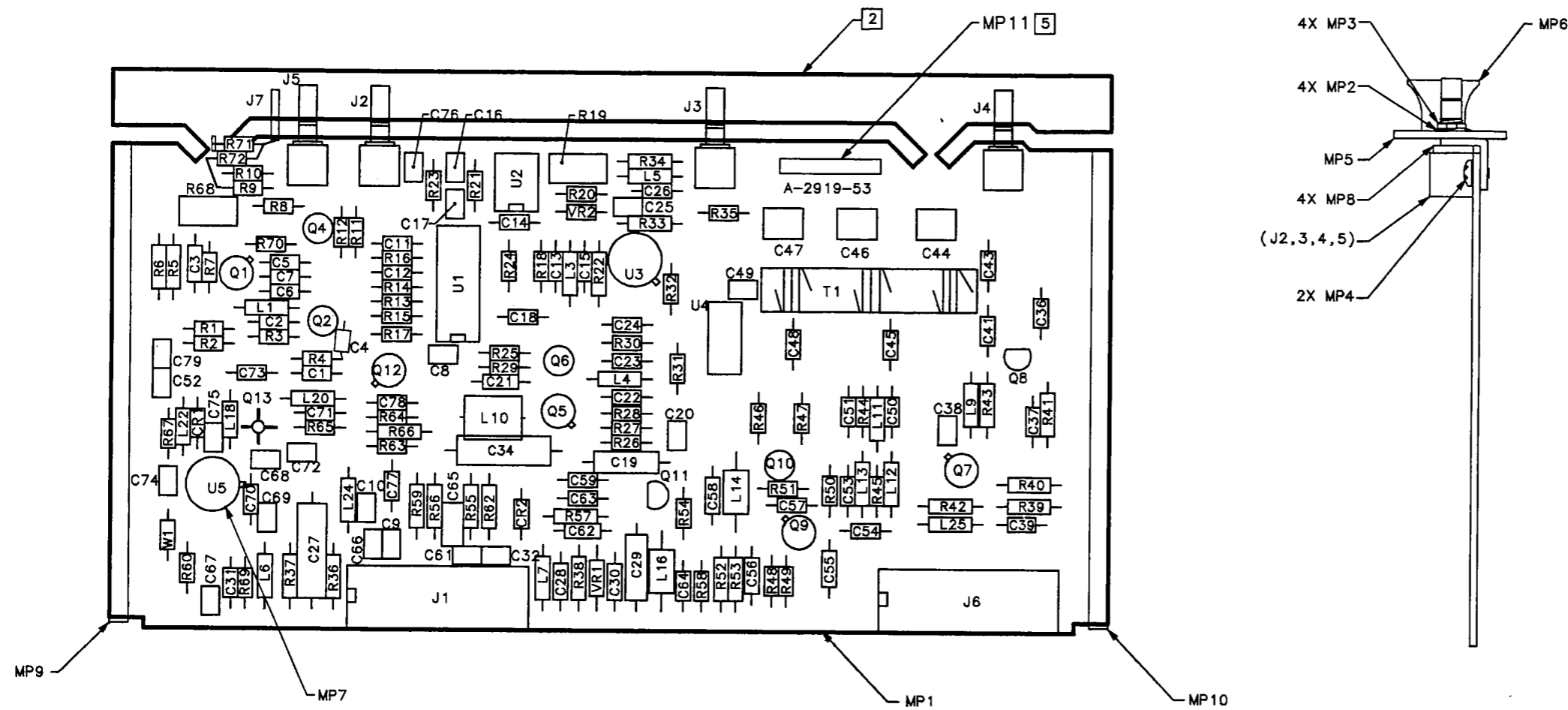
Reference Designation	HP Part Number	C D	Qty	Description	Mfr Code	Mfr Part Number
R19	2100-3351	6	1	RESISTOR-TRMR 500 10% TKF SIDE-ADJ 1-TRN	03744	3386X-Y46-501
R20	0698-7238	9	1	RESISTOR 1.21K +-1% .05W TF TC=0+-100	00746	CRB20
R21	0698-7212	9	1	RESISTOR 100 +-1% .05W TF TC=0+-100	00746	CRB20
R22	0757-0416	7	1	RESISTOR 511 +-1% .125W TF TC=0+-100	00746	CRB14 OR CRB25
R23	0698-7212	9	1	RESISTOR 100 +-1% .05W TF TC=0+-100	00746	CRB20
R24	0698-7224	3	1	RESISTOR 316 +-1% .05W TF TC=0+-100	00746	CRB20
R25	0698-7197	9	1	RESISTOR 23.7 +-1% .05W TF TC=0+-100	00746	CRB20
R26	0698-7255	0	1	RESISTOR 6.19K +-1% .05W TF TC=0+-100	00746	CRB20
R27	0698-7254	9	1	RESISTOR 5.62K +-1% .05W TF TC=0+-100	00746	CRB20
R28	0698-7212	9	1	RESISTOR 100 +-1% .05W TF TC=0+-100	00746	CRB20
R29	0698-7247	0	1	RESISTOR 2.87K +-1% .05W TF TC=0+-100	00746	CRB20
R30	0698-7192	4	1	RESISTOR 14.7 +-1% .05W TF TC=0+-100	00746	CRB20
R32	0698-7217	4	1	RESISTOR 162 +-1% .05W TF TC=0+-100	00746	CRB20
R33	0757-0402	1	1	RESISTOR 110 +-1% .125W TF TC=0+-100	00746	CRB14 OR CRB25
R34	0757-0400	9	1	RESISTOR 90.9 +-1% .125W TF TC=0+-100	00746	CRB14 OR CRB25
R35	0698-7210	7	1	RESISTOR 82.5 +-1% .05W TF TC=0+-100	00746	CRB20
R36	0698-3430	5	1	RESISTOR 21.5 1% .125W TF TC=0+-100	00746	CRB14 OR CRB25
R37	0698-3430	5	1	RESISTOR 21.5 1% .125W TF TC=0+-100	00746	CRB14 OR CRB25
R38	0698-0082	7	1	RESISTOR 464 1% .125W TF TC=0+-100	00746	CRB14 OR CRB25
R39	0757-0442	9	1	RESISTOR 10K +-1% .125W TF TC=0+-100	00746	CRB14 OR CRB25
R40	0698-3136	8	1	RESISTOR 17.8K 1% .125W TF TC=0+-100	00746	CRB14 OR CRB25
R41	0698-7253	8	1	RESISTOR 5.11K +-1% .05W TF TC=0+-100	00746	CRB20
R42	0698-3442	9	1	RESISTOR 237 1% .125W TF TC=0+-100	00746	CRB14 OR CRB25
R43	0757-0280	3	1	RESISTOR 1K +-1% .125W TF TC=0+-100	00746	CRB14 OR CRB25
R44	0698-7205	0	1	RESISTOR 51.1 +-1% .05W TF TC=0+-100	00746	CRB20
R45	0698-7205	0	1	RESISTOR 51.1 +-1% .05W TF TC=0+-100	00746	CRB20
R46	0698-8822	9	1	RESISTOR 6.81 +-1% .125W TF TC=0+-100	01074	H8
R47	0698-8822	9	1	RESISTOR 6.81 +-1% .125W TF TC=0+-100	01074	H8
R48	0698-7261	8	1	RESISTOR 11K +-1% .05W TF TC=0+-100	00746	CRB20
R49	0698-7251	6	1	RESISTOR 4.22K +-1% .05W TF TC=0+-100	00746	CRB20
R50	0698-7243	6	1	RESISTOR 1.96K +-1% .05W TF TC=0+-100	00746	CRB20
R51	0698-7224	3	1	RESISTOR 316 +-1% .05W TF TC=0+-100	00746	CRB20
R52	0757-0405	4	1	RESISTOR 162 +-1% .125W TF TC=0+-100	00746	CRB14 OR CRB25
R53	0757-0405	4	1	RESISTOR 162 +-1% .125W TF TC=0+-100	00746	CRB14 OR CRB25
R54	0698-7205	0	1	RESISTOR 51.1 +-1% .05W TF TC=0+-100	00746	CRB20
R55	0757-0419	0	1	RESISTOR 681 +-1% .125W TF TC=0+-100	00746	CRB14 OR CRB25
R56	0698-0082	7	1	RESISTOR 464 1% .125W TF TC=0+-100	00746	CRB14 OR CRB25
R57	0757-0416	7	1	RESISTOR 511 +-1% .125W TF TC=0+-100	00746	CRB14 OR CRB25
R58	0698-7217	4	1	RESISTOR 162 +-1% .05W TF TC=0+-100	00746	CRB20
R59	0698-0084	9	1	RESISTOR 2.15K 1% .125W TF TC=0+-100	00746	CRB14 OR CRB25
R60	0698-7236	7	1	RESISTOR 1K +-1% .05W TF TC=0+-100	00746	CRB20
R62	0698-0084	9	1	RESISTOR 2.15K 1% .125W TF TC=0+-100	00746	CRB14 OR CRB25
R63	0698-7260	7	1	RESISTOR 10K +-1% .05W TF TC=0+-100	00746	CRB20
R64	0698-7253	8	1	RESISTOR 5.11K +-1% .05W TF TC=0+-100	00746	CRB20
R65	0698-7253	8	1	RESISTOR 5.11K +-1% .05W TF TC=0+-100	00746	CRB20
R66	0757-0280	3	1	RESISTOR 1K +-1% .125W TF TC=0+-100	00746	CRB14 OR CRB25
R67	0698-7284	5	1	RESISTOR 100K +-1% .05W TF TC=0+-100	00746	CRB20
R68	2100-3355	0	1	RESISTOR-TRMR 100K 10% TKF SIDE-ADJ 1-TR	03744	3386X-Y46-104

HP Part Number 08593-60016
Third Converter Option E02

Reference Designation	HP Part Number	C D	Qty	Description	Mfr Code	Mfr Part Number
R69	0698-7260	7	1	RESISTOR 10K +-1% .05W TF TC=0+-100	00746	CRB20
R70	0698-7215	2	1	RESISTOR 133 +-1% .05W TF TC=0+-100	00746	CRB20
R71	0699-1948	8	1	RESISTOR 46.4 +-1% .05W TF TC=0+-100	05524	CMF-50-21
R72	0699-2032	3	1	RESISTOR 147 +-1% .05W TF TC=0+-100	05524	CMF-50-21
T1	08558-80003	6	1	COIL, BANDPASS FILTER	28480	08558-80003
U1	1820-3485	2	1	IC PRESCR ECL	02037	MC12090L
U2	1826-0372	2	1	IC MISC 8-DIP-P PKG	01876	A251-0100
U3	1813-0211	1	1	IC WIDEBAND AMPL TO-39 PKG	02037	MWA110
U4	0955-0113	1	1	U-WAVE MIXER 1 GHZ MAX	02739	TFM-2-38
U5	0410-2119	7	1	RESONATOR-SURF ACST W FREQUENCY:600 MHZ	12127	RP-1192-2
VR1	1902-0025	4	1	DIODE-ZNR 10V 5% DO-35 PD=.4W TC=+.06%	02037	
VR2	1902-0949	1	1	DIODE-ZNR 4.3V 5% DO-35 PD=.4W TC=+.017%	02037	
W1	8159-0005	0	1	RESISTOR-ZERO OHMS 22 AWG LEAD DIA	01339	L-2007-1

**Indicates factory-selected value*

		D -08593-60016-2	
SYM	REVISIONS	APPROVED	DATE
A			

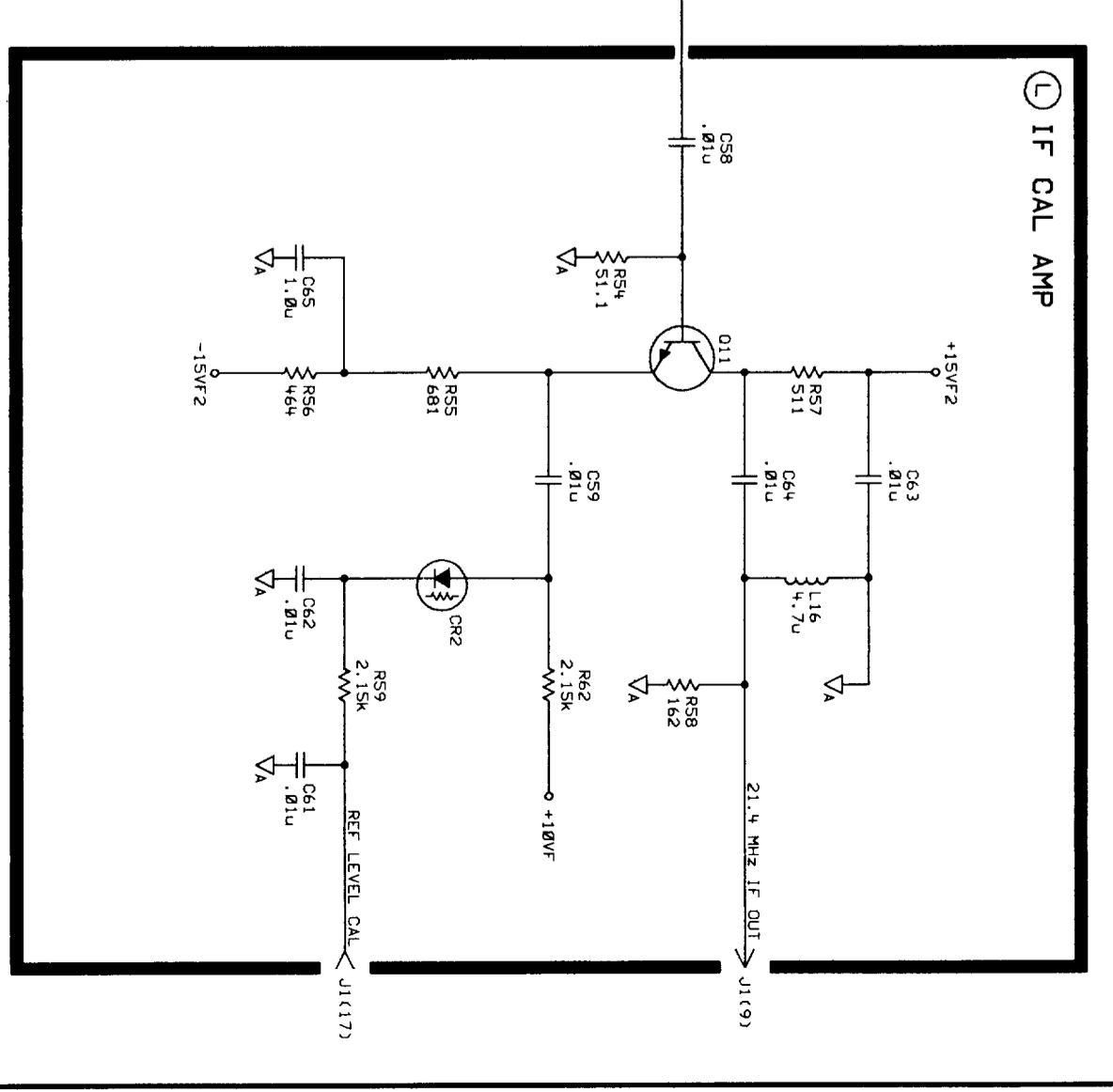
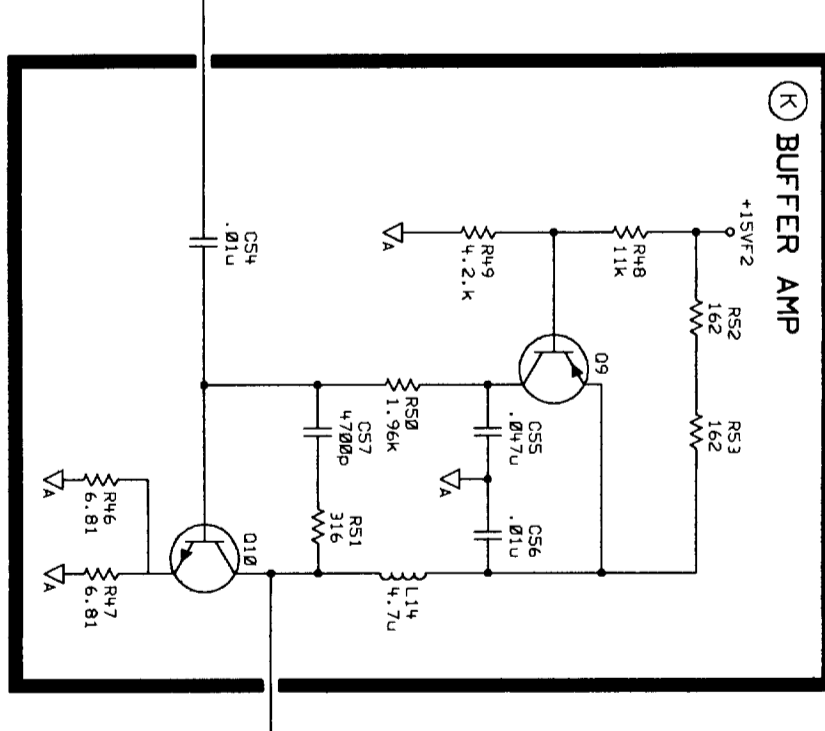
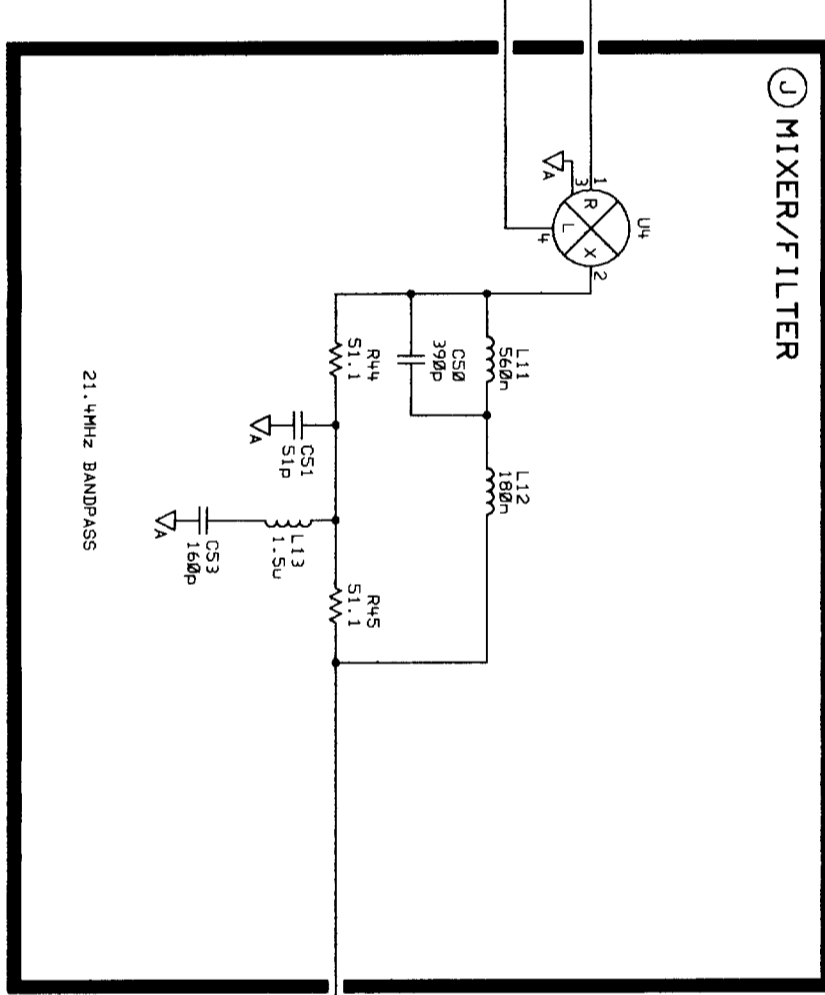
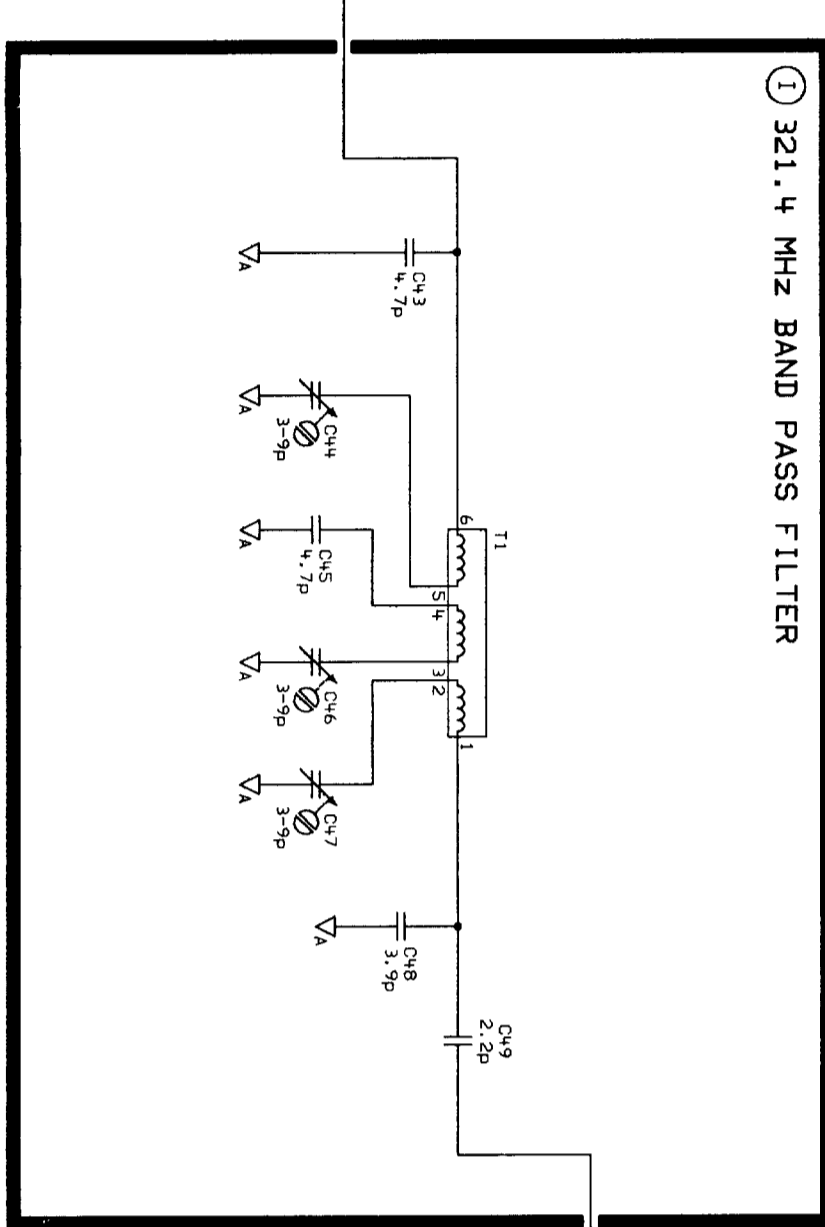
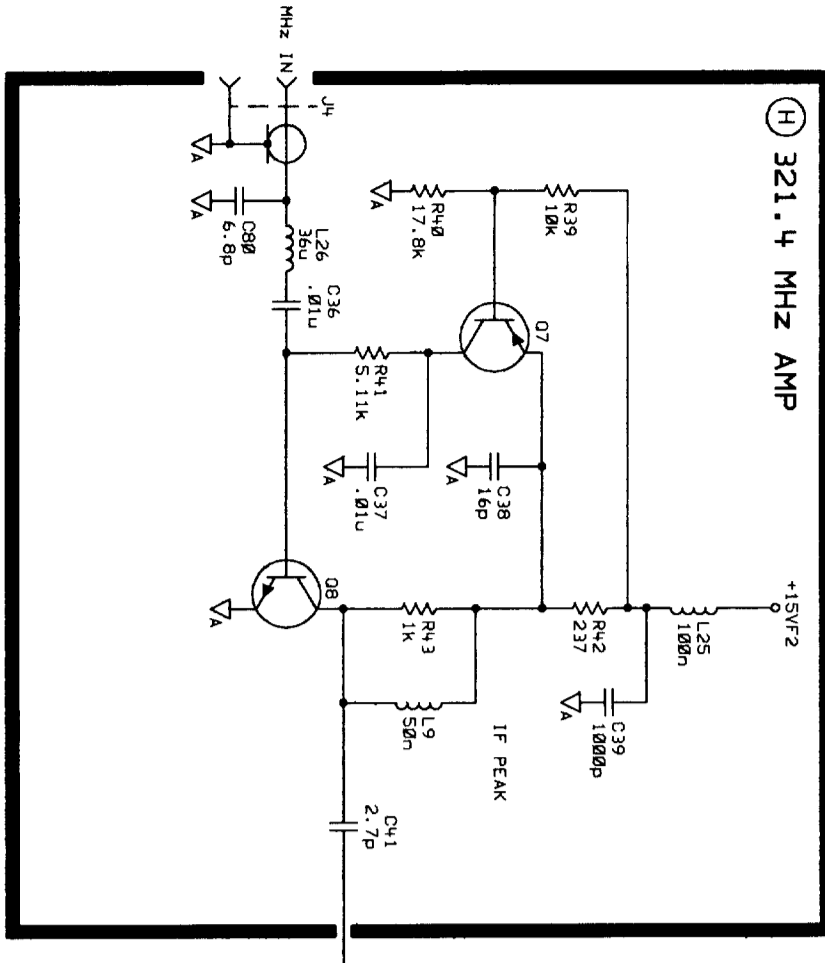
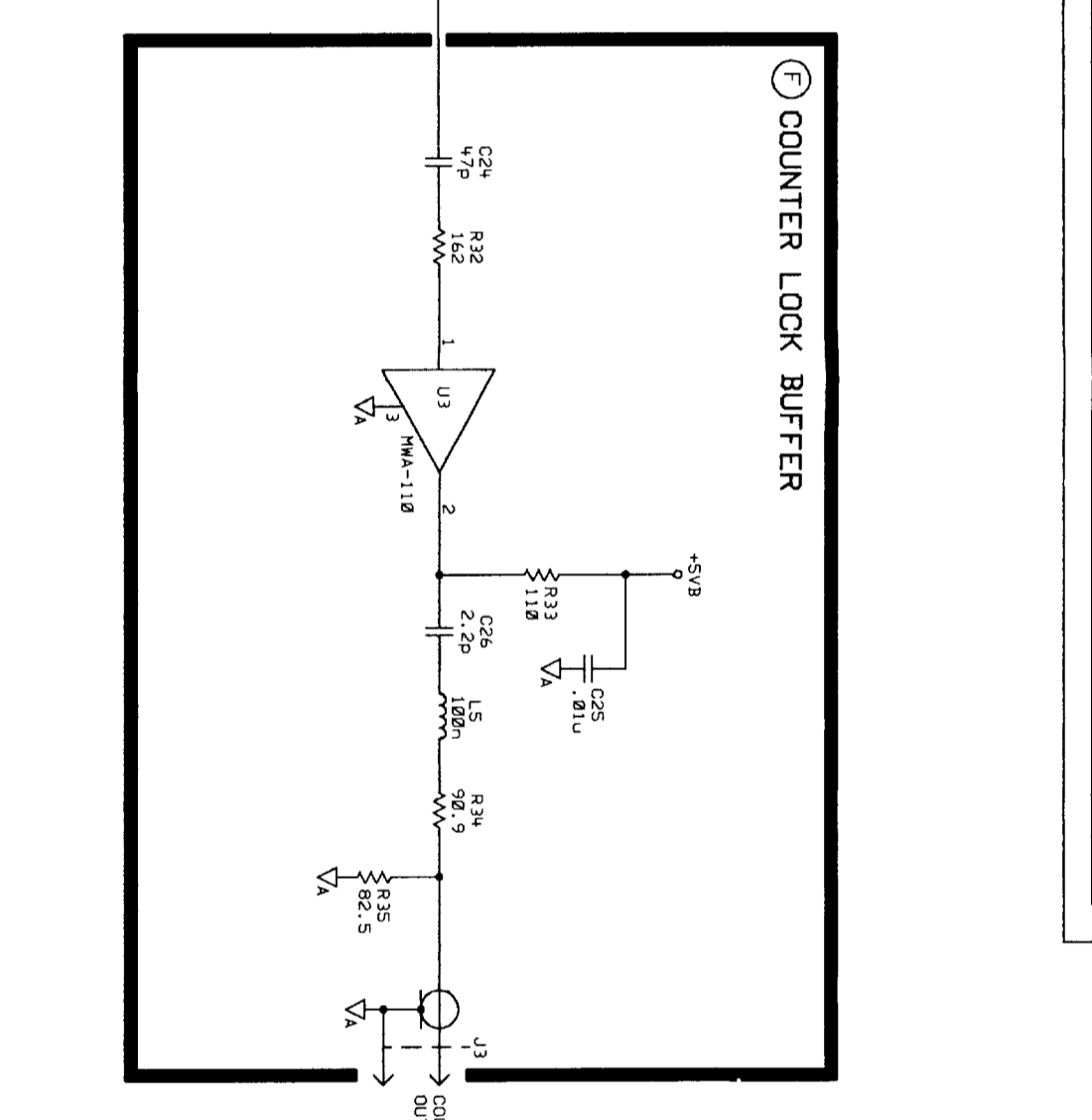
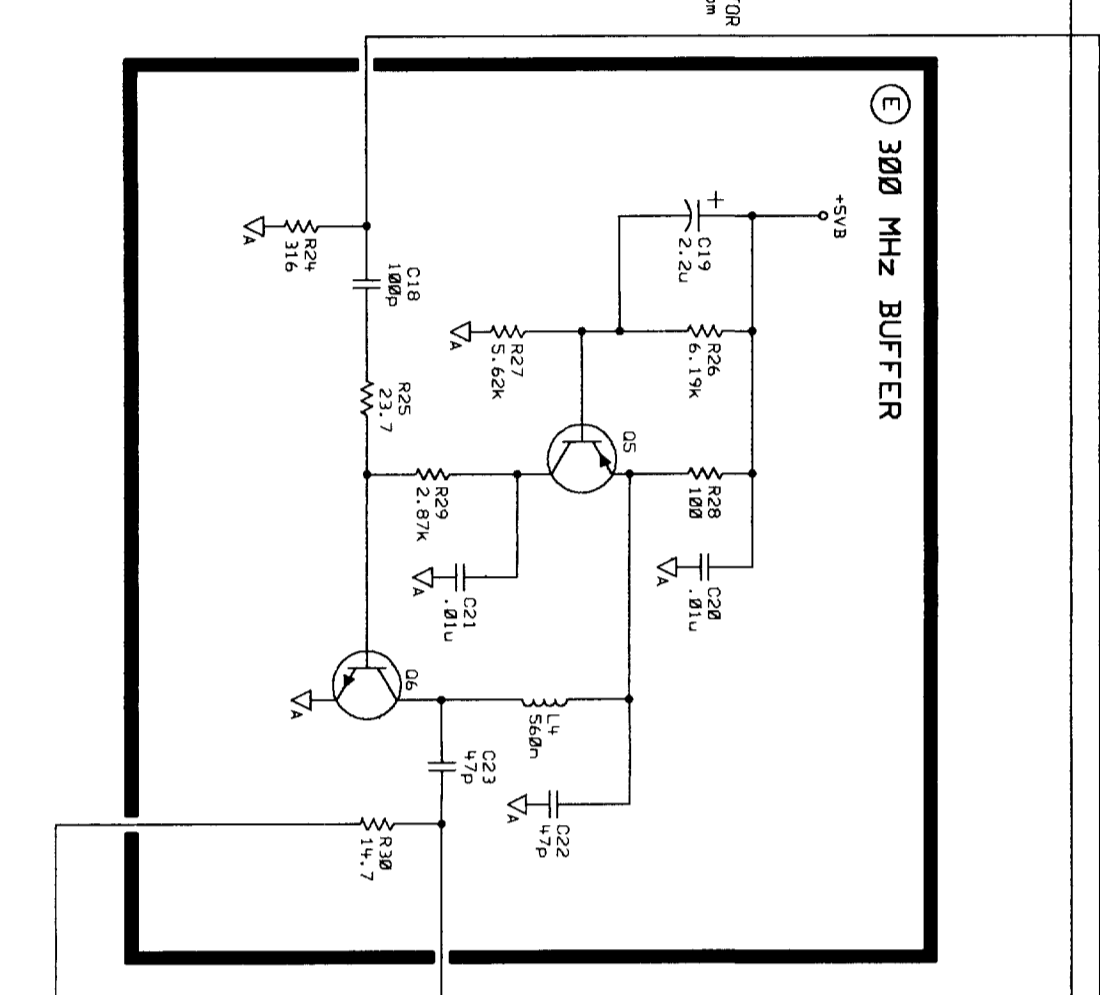
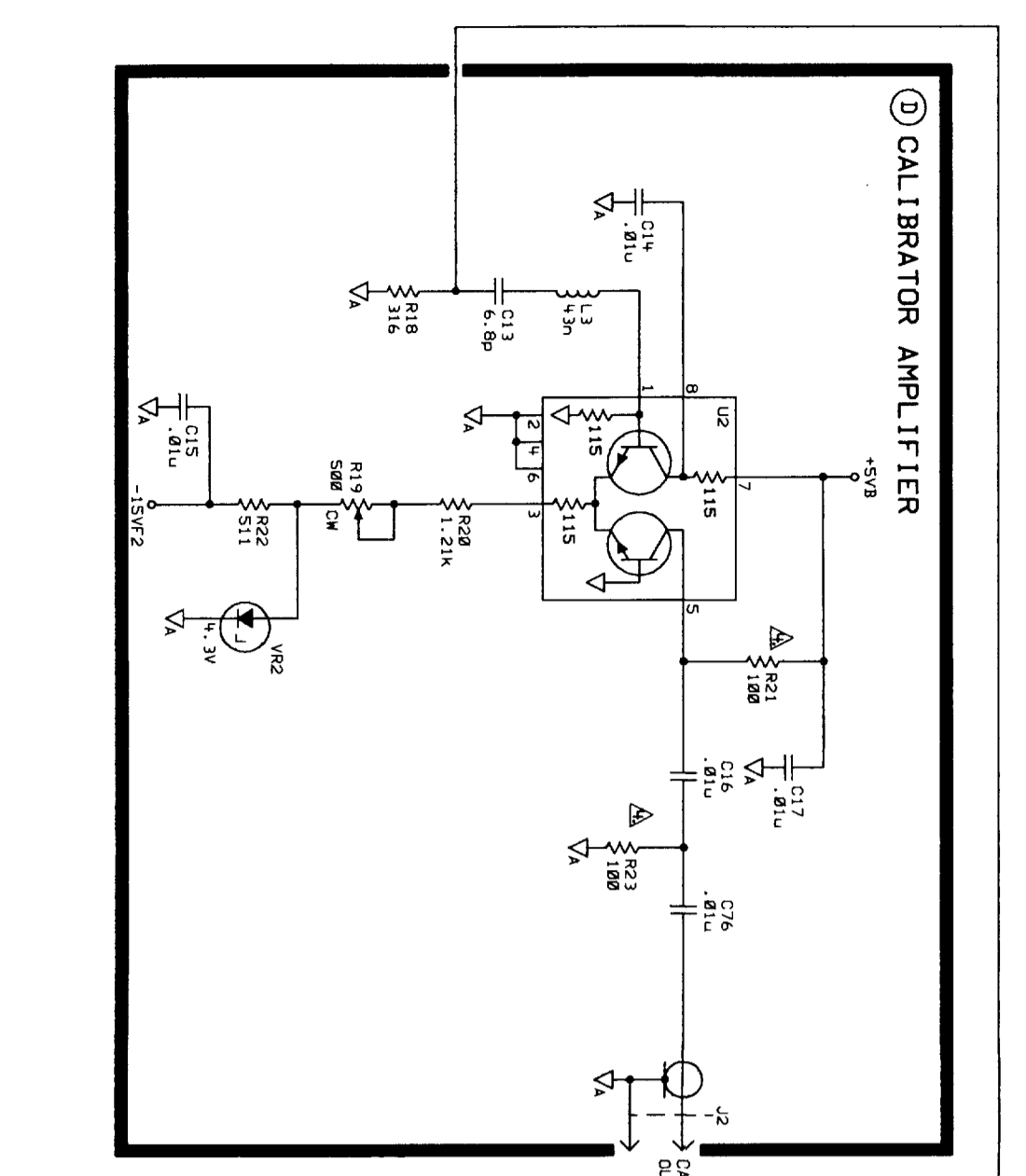
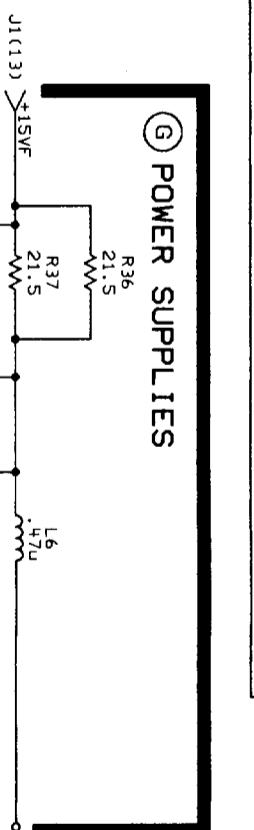
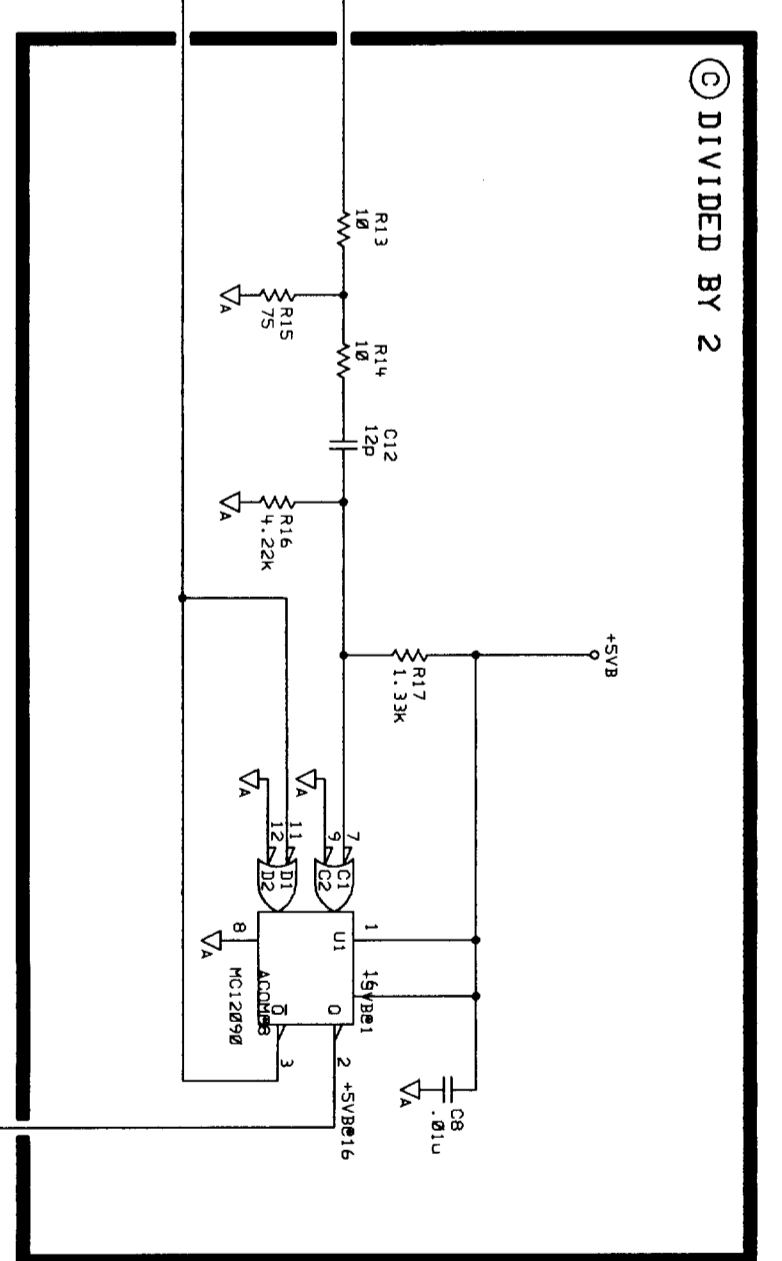
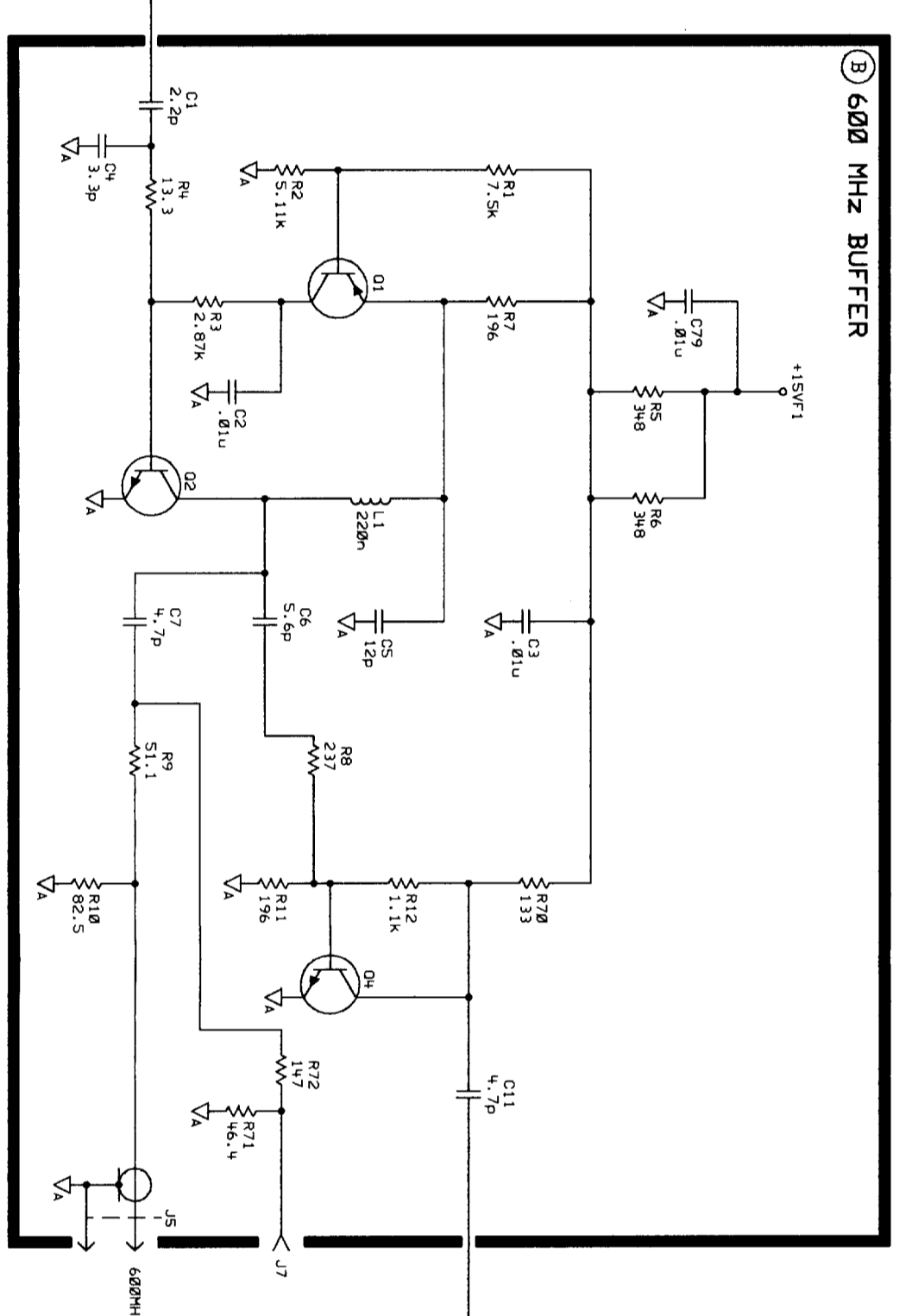
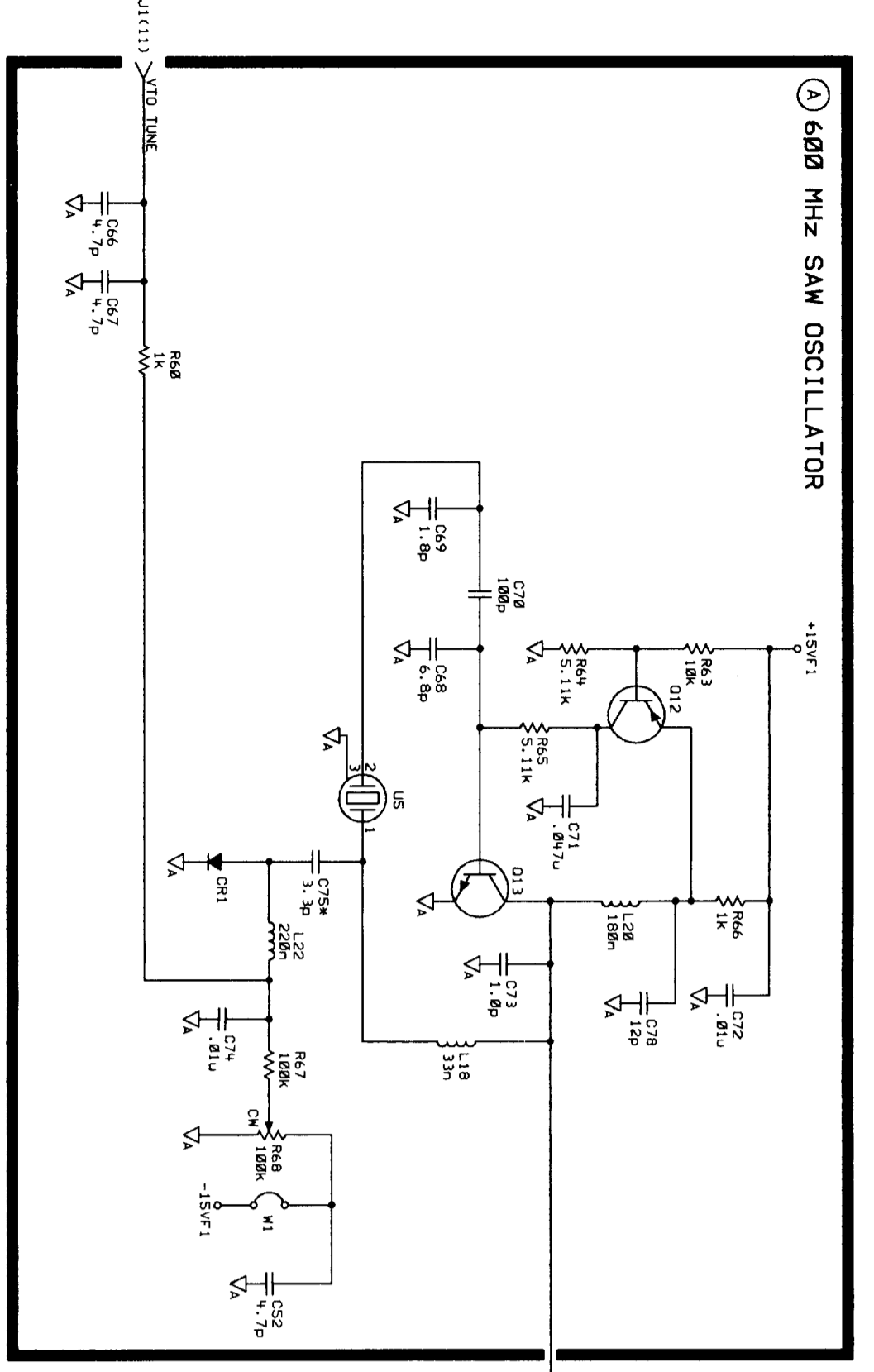


NOTES: UNLESS OTHERWISE SPECIFIED

1. DIMENSIONS ARE IN INCHES.
- 2 REMOVE TABS AFTER WAVE SOLDER.
3. MAXIMUM COMPONENT HEIGHT .400.
4. MAX LEAD TRIM .100.

HP PROPRIETARY
 THIS DOCUMENT CONTAINS CONFIDENTIAL
 PROPRIETARY INFORMATION THAT IS
 HEWLETT-PACKARD (HP) PROPERTY. DO
 NOT DISCLOSE TO OR DUPLICATE FOR
 OTHERS EXCEPT AS AUTHORIZED BY HP.

UNLESS OTHERWISE SPECIFIED, DIMENSIONS ARE IN INCHES.		DRAWN BY	DATE	BOARD ASSEMBLY 3RD CONVERTER	
TOLERANCES: XX.XXX (I) 0.015		ENGINEER/CHECKER			
SEE CORP. STD. 808		RELEASED TO PROD.		NONE	SHEET 1 of 1
		SUPERSEDES DWG.		SCALE	



U1

PIN	SIGNAL	FUNCTION
1	ANODE	OSCILLATOR
2	GRID	OSCILLATOR
3	GRID	OSCILLATOR
4	GRID	OSCILLATOR
5	GRID	OSCILLATOR
6	GRID	OSCILLATOR
7	GRID	OSCILLATOR
8	GRID	OSCILLATOR
9	GRID	OSCILLATOR
10	GRID	OSCILLATOR
11	GRID	OSCILLATOR
12	GRID	OSCILLATOR
13	GRID	OSCILLATOR
14	GRID	OSCILLATOR
15	GRID	OSCILLATOR
16	GRID	OSCILLATOR
17	GRID	OSCILLATOR
18	GRID	OSCILLATOR
19	GRID	OSCILLATOR
20	GRID	OSCILLATOR

U6

PIN	SIGNAL	FUNCTION
1	ANODE	OSCILLATOR
2	GRID	OSCILLATOR
3	GRID	OSCILLATOR
4	GRID	OSCILLATOR
5	GRID	OSCILLATOR
6	GRID	OSCILLATOR
7	GRID	OSCILLATOR
8	GRID	OSCILLATOR
9	GRID	OSCILLATOR
10	GRID	OSCILLATOR
11	GRID	OSCILLATOR
12	GRID	OSCILLATOR
13	GRID	OSCILLATOR
14	GRID	OSCILLATOR
15	GRID	OSCILLATOR
16	GRID	OSCILLATOR
17	GRID	OSCILLATOR
18	GRID	OSCILLATOR
19	GRID	OSCILLATOR
20	GRID	OSCILLATOR

NOTES:
 1. RESISTANCE DESIGNATORS WITHIN
 PREFIX ABBREVIATION WITH ASSEMBLY
 DESIGNATOR.
 2. UNLESS OTHERWISE INDICATED:
 RESISTANCE IN OHMS (RES), IN
 KILOHMS (K), IN MEGOHMS (M),
 INDUCTANCE IN MICROHENRIES (UH)
 3. C25M IS A FACTORY SELECT PART
 NUMBER 1. IN OTHERS TO 3.10 (Q1046-4418)

HP PROPRIETARY
 THIS DOCUMENT CONTAINS CONFIDENTIAL
 INFORMATION THAT IS HEWLETT-PACKARD (HP)
 PROPERTY. DO NOT DISCLOSE TO
 OTHERS EXCEPT AS AUTHORIZED BY HP.

ITEM	QTY.	PART/MATERIAL-DESCRIPTION	MAT'L-PART NO.	MAT'L-DWG. NO.	MAT'L-SPEC.
DRAWN BY					
ENGINEER/CHECKER					
RELEASE TO PROD.					
TITLE					
PART NUMBER					
SCALE NONE SHEET 1 OF					